



SMARTLINC

Multiple Lock System

INSTALLATION INSTRUCTIONS

The Quality System of LA GARD Inc. is ISO 9001;2000 approved. In order to maintain this high quality standard and to ensure a problem free application, please read this guide thoroughly before mounting the SMARTLINC system.

SAFEGUARDS FOR MOUNTING

- ① As soon as an electronic lock has been mounted, no more welding can be done on the safe.
- ② Keep metal dust, filings, etc. away from the lock.
- ③ Never remove lock cover, this voids the LA GARD warranty policy.
- ④ Never oil, grease, lubricate or paint the lock.
- ⑤ Keep cables away from sharp edges and moving parts.
- ⑥ Never carry Keypads or Locks by holding on to the cable.
- ⑦ Use ALKALINE batteries only. (LA GARD recommends Eveready™ or Duracell™)

SMARTLINC INSTALLATION PARTS LIST

Listed below you will find a part requirement for the various SMARTLINC set-ups.

One Lock

- Logic Module (P/N 9030)
- Lock (P/N 4300A62S-00-00 or 6040A62S-00-00 or 6034A62S-00-00 or 6441A62S-40-00)
- Lock Programming Cable (P/N 43098)
- Logic Module Programming/Audit Cable with Serial Interface (P/N 43087)
- APB [Auxiliary Power Box] (P/N xxxx) [comes with one (1) 18" SMARTLINC Lock Cable Assembly]

Two Locks

- Same As Above with the addition of:
- One (1) Locks (P/N 4300A62S-00-00 or 6040A62S-00-00 or 6034A62S-00-00 or 6441A62S-40-00)
- APB [Auxiliary Power Box] (P/N xxxx) [comes with one (1) 18" SMARTLINC Lock Cable Assembly]
- SMARTLINC Lock Cable Assembly (P/N 43099-1) [if additional length required, available in 3', 6' or 10' lengths]

Three Locks

- Same As Above with the addition of:
- Two (2) Locks (P/N 4300A62S-00-00 or 6040A62S-00-00 or 6034A62S-00-00 or 6441A62S-40-00)
- APB [Auxiliary Power Box] (P/N xxxx) [comes with one (1) 18" SMARTLINC Lock Cable Assembly]
- At least One (1) SMARTLINC Lock Cable Assembly (P/N 43099-1 or 43099-3 or 43099-6 or 43099-10)

Four Locks

- Same As Above with the addition of:
- Three (3) Locks (P/N 4300A62S-00-00 or 6040A62S-00-00 or 6034A62S-00-00 or 6441A62S-40-00)
- Two (2) APB [Auxiliary Power Boxes] (P/N xxxx) [comes with one (1) 18" SMARTLINC Lock Cable Assembly]
- At least Two (2) SMARTLINC Lock Cable Assembly (P/N 43099-1 or 43099-3 or 43099-6 or 43099-10)

Five Locks

- Same As Above with the addition of:
- Four (4) Locks (P/N 4300A62S-00-00 or 6040A62S-00-00 or 6034A62S-00-00 or 6441A62S-40-00)
- Two (2) • APB [Auxiliary Power Boxes] (P/N xxxx) [comes with one (1) 18" SMARTLINC Lock Cable Assembly]
- At least Three (3) SMARTLINC Lock Cable Assembly (P/N 43099-1 or 43099-3 or 43099-6 or 43099-10)

OPTIONAL ACCESSORIES AVAILABLE

- eKEY^{II} [if applicable] (P/N 40169)
- Knob Assembly (P/N 2666) [for use with Deadbolt or Springbolt locks]
- Large Battery or Battery Alarm Box [recommended if using with Time Delay/Time Lock. Alarm Box is required for use of certain features] (P/N 2789 or 4001 or 4002)
- Armored Alarm Cable Protector (P/N 43116)
- A/C Power Adapter (P/N xxx) [for use on any lock to power the entire system with A/C rather than battery as primary power source]

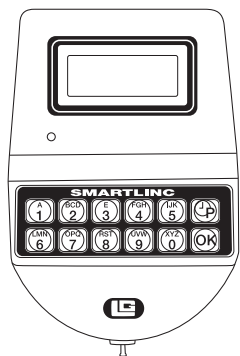
SMARTLINC STEP-BY-STEP

Once all parts for the SMARTLINC System have been received, layout one full system to begin set-up and installation. The images on this page shows all of the parts associated with the SMARTLINC as well as a description of their use. LA GARD recommends that you follow our instructions for set-up and installation to avoid system malfunctions.

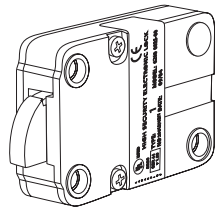
- ① Make sure all parts required for the system have been received.
- ② Install Set-up, DST and Total Audit software on the computer or laptop being used to configure the system. (See Software Installation Instructions, 12-250)
- ③ Set-up Logic Module (See Logic Module and Lock Set-up Instructions, 12-249)
- ④ Set-up Locks (See Logic Module and Lock Set-up Instructions, 12-249)
- ⑤ Enroll locks to Logic Module (See Master Operating Instructions, 12-247)
- ⑥ Install Logic Module and Locks on safe (See Installation Instructions, 12-248)

Other instructions available include:

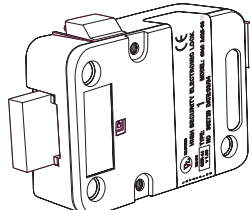
- Manager Operating Instructions, 12-246
- User Operating Instructions, 12-245
- Total Audit Operating Instructions, 12-251



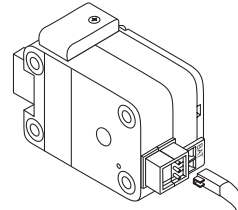
9030 Logic Module



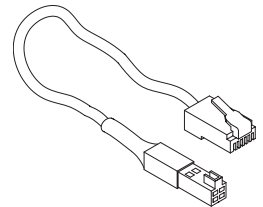
4300A62S-00-00 Dual-Handed Swingbolt Lock



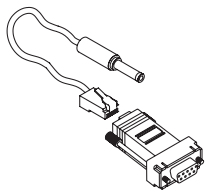
6040A62S-00-00 Deadbolt Lock
or 6034A62S-00-00 Springbolt Lock



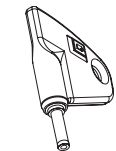
6441A62S-00-00 Redundant Mechanical Lock



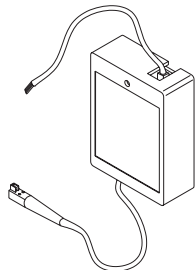
43098 Lock Programming Cable
(Requires use of Serial Interface)



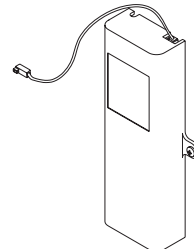
43087 Logic Module Programming / Audit Cable with Serial Interface



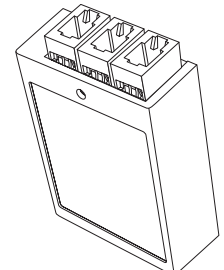
40169 eKEY II



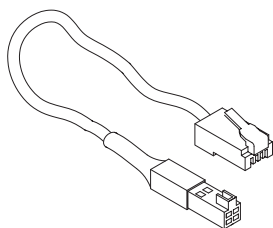
2789 Small Battery Alarm Box



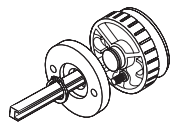
4001 Large Battery Box
4002 Large Battery / Alarm Box



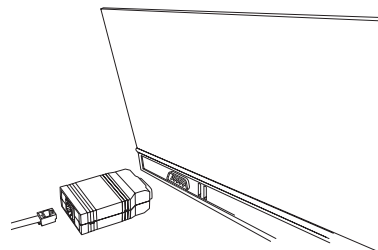
4006 APB (Auxiliary Power Box)



43099-1 (18") Lock Cable Assembly
(Also available in 3', 6' and 10' lengths)



2666 Knob Assembly
(For use with Deadbolt or Springbolt Locks)



Serial Interface Connector
The Serial Interface Connector comes with the 43087 Logic Module / Audit Cable. In order to program the locks, use the Serial Interface Connector with the 43098 Lock Programming Cable.



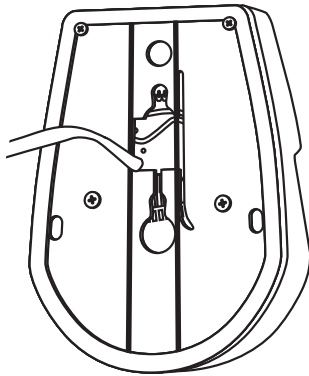
43116 Armored Alarm Cable Protector

A/C Power Adapter

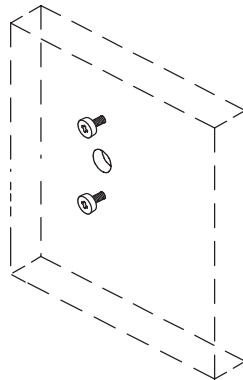
LOGIC MODULE MOUNTING

The 9030 Logic Module comes with a backplate for ease of mounting, *see drawing 1*.

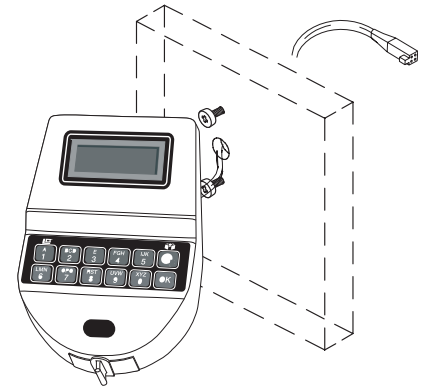
- ① Locate, drill and tap holes to mount the Logic Module to the outside of the safe door.
- ② Install the two (2) 8-32 screws to mount the Logic Module to the door, *see drawing 2*.
- ③ Route the Logic Module cable through the opening on the safe door, *see drawing 3*.
- ④ Position the Logic Module over the mounting screws and slide the Logic Module down on to the mounting screws.



Drawing 1



Drawing 2

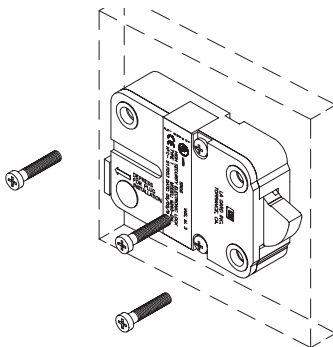


Drawing 3

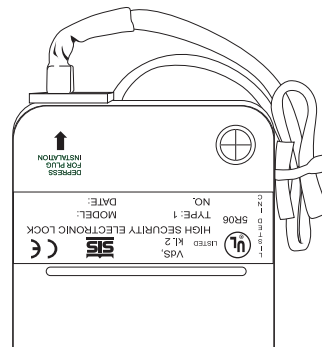
LOCK CONNECTION AND MOUNTING

The steps involved in lock installation are dependent on the number of locks to be installed in the system. Each available installation is described. Once the locks are programmed and are ready to mount, follow the instructions below for mounting the Dual-Handed Swingbolt lock. Lock mounting instructions for the Deadbolt/Swingbolt and Redundant Mechanical can be found at the end of these instructions.

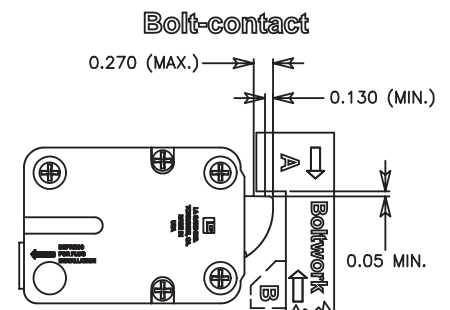
- ① Making sure that the entry cable is running through the channel at the back of the lock. Mount the lock with the three (3) US 1/4"-20. **NOTE:** All four mounting orientations are possible. LA GARD's recommended torque for mounting screws on the Swingbolt lock is 60 inches-pound for the 1/4-20 screws, *see drawing 4*.
- ② Secure any cables with tywrap, making sure to keep out of the way of all moving parts, *see drawing 5*.
- ③ The blocking part "A" of Boltwork should exert pressure on the entire width of the lock bolt. In the locked position the boltwork **MUST NOT** place pressure on the lock bolt. **NOTE:** In case of boltwork construction where two blocking parts are moving opposite one another, the one facing the round side of the lock bolt "B" should be cut-off to avoid jamming of lock bolt, *see drawing 6*.



Drawing 4



Drawing 5



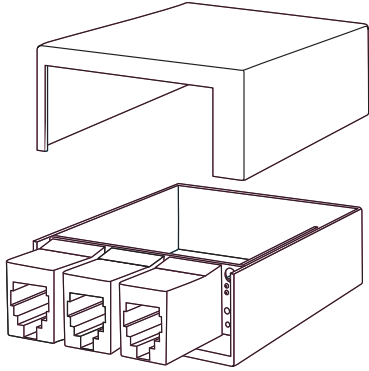
Drawing 6

ONE, TWO OR THREE LOCK SYSTEM

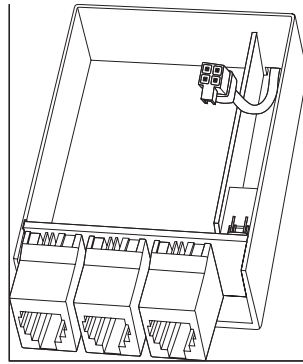
All systems, no matter how many locks, require the use of the APB (Auxiliary Power Box). The cable from the Logic Module will be installed into this Box and then the lock(s) will be plugged into the connectors on the outside.

An additional Lock Cable Assembly will be required for each additional lock installed into the system. LA GARD offers Lock Cable Assemblies in 18", 3', 6' and 10' lengths.

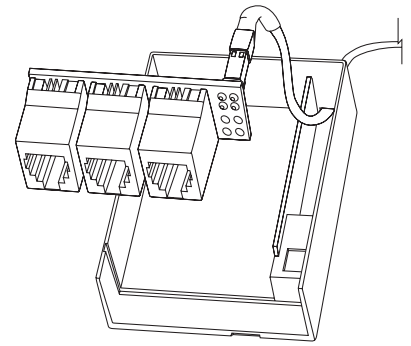
- ① To install the cable from the Logic Module, first remove the cover from the Unit, *see drawing 7*.
- ② Insert the cable through the hole at the bottom of the box, *see drawing 8*.
- ③ In order to plug the cable into the circuit board, remove the circuit board from the box, *see drawing 9*. The cable should be inserted so the lug is facing in the downward position.
- ④ Once the cable is installed, slide the circuit board back into the box. Gently pull the cable taut so that there is no slack remaining in the box itself, *see drawing 10*. Replace the cover.



Drawing 7



Drawing 8



Drawing 9

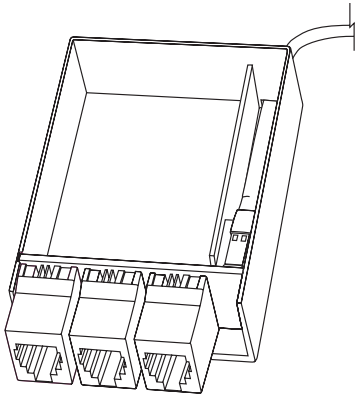
Once the cable from the Logic Module has been connected to the APB, the locks are ready to be installed, using a Lock Cable Assembly. The lock has two ports for cable connection, one the the Entry marked ENT and one for the A/C Power, Battery/Alarm Box, marked BAT, *see drawing 11*. The cable must be installed with the lug facing in the downward position.

- ⑤ To install the cable, push down on the lock snap connector and carefully insert the cable, *see drawing 12*. Be careful not to press too hard as the pins may bend. A bent pin can lead to a bad connection and cause the unit to malfunction.
- ⑥ Repeat these steps for all locks enrolled in the system.
- ⑦ Plug the telephone style connector on the other end of the Lock Cable Assembly for each lock directly into the APB, *see drawing 13*. Ports are non-specific, use any open port.

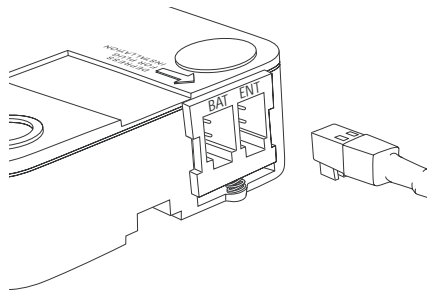
FOUR OR FIVE LOCK SYSTEM

Installing four or five locks into the system requires the use of two APB's. An additional Lock Cable Assembly will be required for each additional lock installed into the system. LA GARD offers Lock Cable Assemblies in 18', 3', 6' and 10' lengths.

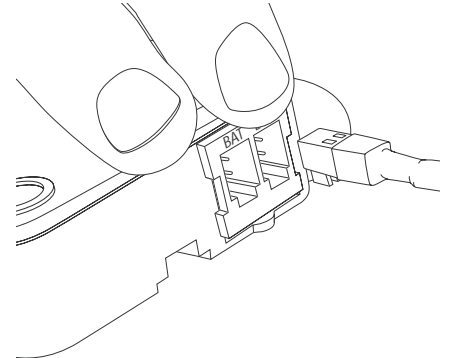
- ① Follow steps ① through ⑤ stated above in the set-up for Two or Three Locks, but set-up two locks only. The third available port will be used as the connector between the two APB's.
- ② Plug one end into the first APB and the other into the circuit board on the second APB.
- ③ Install the lock cables for locks four and five into the lock and connect the telephone style connector to the second APB, *see drawing 14*.



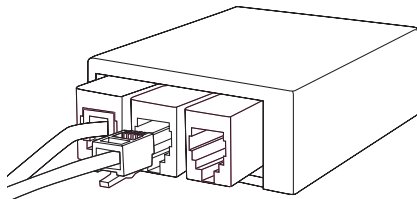
Drawing 10



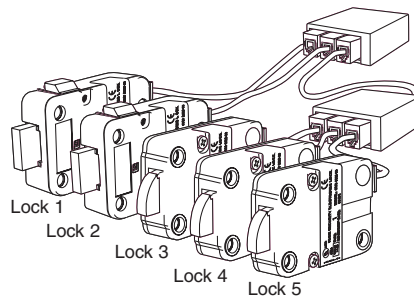
Drawing 11



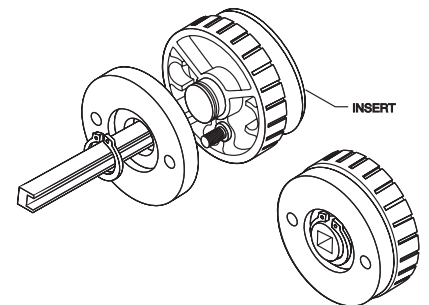
Drawing 12



Drawing 13



Drawing 14



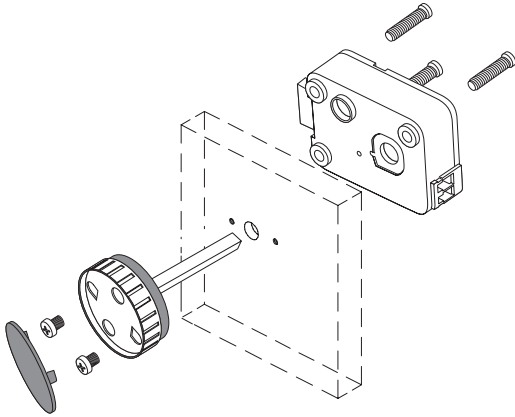
Drawing 15

DEADBOLT OR SPRINGBOLT LOCKS

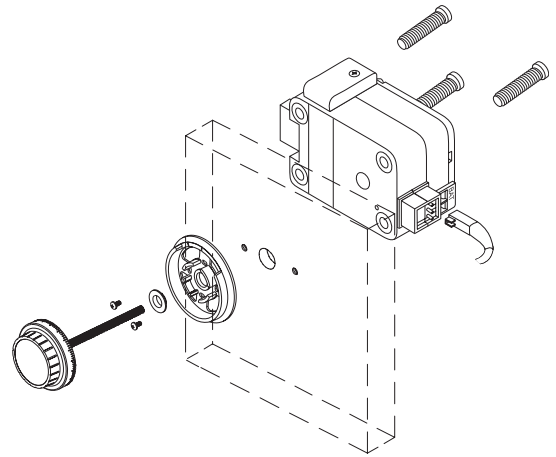
In order to use either the Deadbolt or Springbolt locks, a method of retracting the bolt will be required. LA GARD recommends use of our Knob Assembly, P/N 2666, *see drawing 15*.

The drilling holes necessary to mount the lock correspond with the standard dimensions for mechanical locks. The spindle hole must be well deburred and no sharp edges may remain. The holes required to mount the knob need to be drilled 1.25" apart.

- ① To install the Knob Assembly, remove the insert from the front of the knob.
- ② Cut the spindle to length, .820" plus the mounting thickness.
- ③ Install using the two 8-32 X 5/16 phillips pan screws, *see figure 16*.
- ④ Install the lock (always with the bolt extended) onto the spindle, placing it flush to the mounting surface.
- ⑤ Fasten the lock using the three US 1/4-20 screws found in the hardware pack.



Drawing 16



Drawing 17

REDUNDANT MECHANICAL LOCKS

In order to use the Redundant locks, a method of retracting the bolt will be required. LA GARD recommends use of our VISIONGARD Dial, P/N 2085, *see drawing 17*.

- ① To install the Dial, Cut the spindle to length, .820" plus the mounting thickness.
- ③ Install using the two 8-32 X 5/16 phillips pan screws.
- ④ Install the lock (always with the bolt extended) onto the spindle, placing it flush to the mounting surface.
- ⑤ Fasten the lock using the three US 1/4-20 screws found in the hardware pack.

CHANGING YOUR BATTERY

- ① Remove black plastic battery compartment cover (located at the bottom of the keypad) by gently pulling downward on it's handle.
- ② Allow the battery and it's attached leads to drop down and out of the battery compartment. If it does not drop, gently pull on the battery until it does.
- ③ The connector is easily removed by unsnapping it from the two terminals on the top of the battery.

Never Pull on the Battery Leads

- ④ Connect a new 9-Volt Alkaline battery to the battery clip.
- ⑤ Push the battery and the leads completely up into the battery compartment.
- ⑥ Install the battery cover by placing one side of the cover in position and then pressing the other side into position with your finger.

WARNING: The port for the eKEY^{II} is a data port only. Connecting power to this port will damage the system.

NOTE: This system comes equipped with an Auxiliary Power Box (APB). If primary power is lost, the APB will maintain power to the audit clock for 90 hours. **THE UNIT WILL NOT FUNCTION UNTIL PRIMARY HAS BEEN RE-ESTABLISHED, i.e. battery(s) have been replaced or A/C power has been connected.**

