

LGBASIC^{II}

ELECTRONIC ENTRY DEVICE



 **LAGARD**[®]
One Company... Endless Solutions



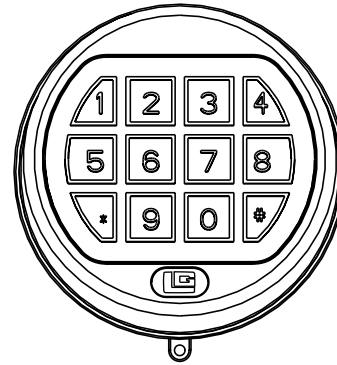
LGBASIC^{II}

SPECIFICATIONS

3715 LGBASIC^{II}

FEATURES

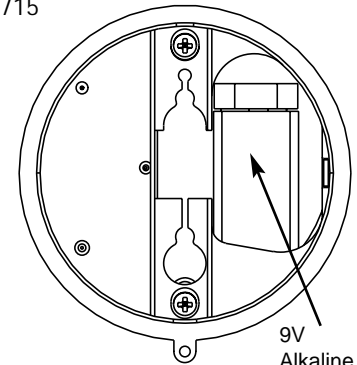
- Available in Satin Chrome, Brass and Black
- Outside Battery Compartment (*Located Behind Keypad*)
- One User-Supplied 9V Alkaline Battery



3715

3765-2 Dual-Handed Swingbolt (LGBASIC) STANDARD FEATURES

- Manager Mode
 - Manager and One User Combination
- Wrong Try Penalty
- UL Listed, Type 1
- Made in the USA



9V
Alkaline
Battery

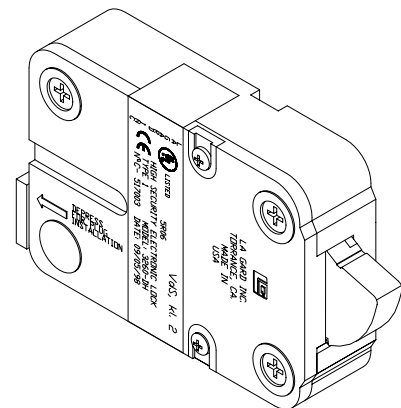
3260 Dual-Handed Swingbolt (SAFEGARD) STANDARD FEATURES

- Signal to Disable Lock
 - Optional Alarm Box Required (*Sold Separately*)
- U.L. Listed, Type 1
- Made in the USA

3260 PROGRAMMABLE FEATURES

(With Optional Hand-Held Programmer)

- Manager Mode
- Second User
- Time Delay
 - Delay Period: 1 – 99 minutes
 - Open Period: 1 – 19 minutes
- Time Delay Override
- Dual Control
- Silent Signal Alarm
 - Optional Alarm Box Required (*Sold Separately*)
- Remote Override Signal
 - Optional Alarm Box Required (*Sold Separately*)



3765-2 or 3260

310-325-5670

Offices Located Worldwide



LA GARD, INC. 3330 Kashiwa Street, Torrance, CA 90505
Ph: 310-325-5670 Fax: 310-325-5615 Fax On Demand: 877-LAGARD2
Email: theone@lagard.com www.lagard.com